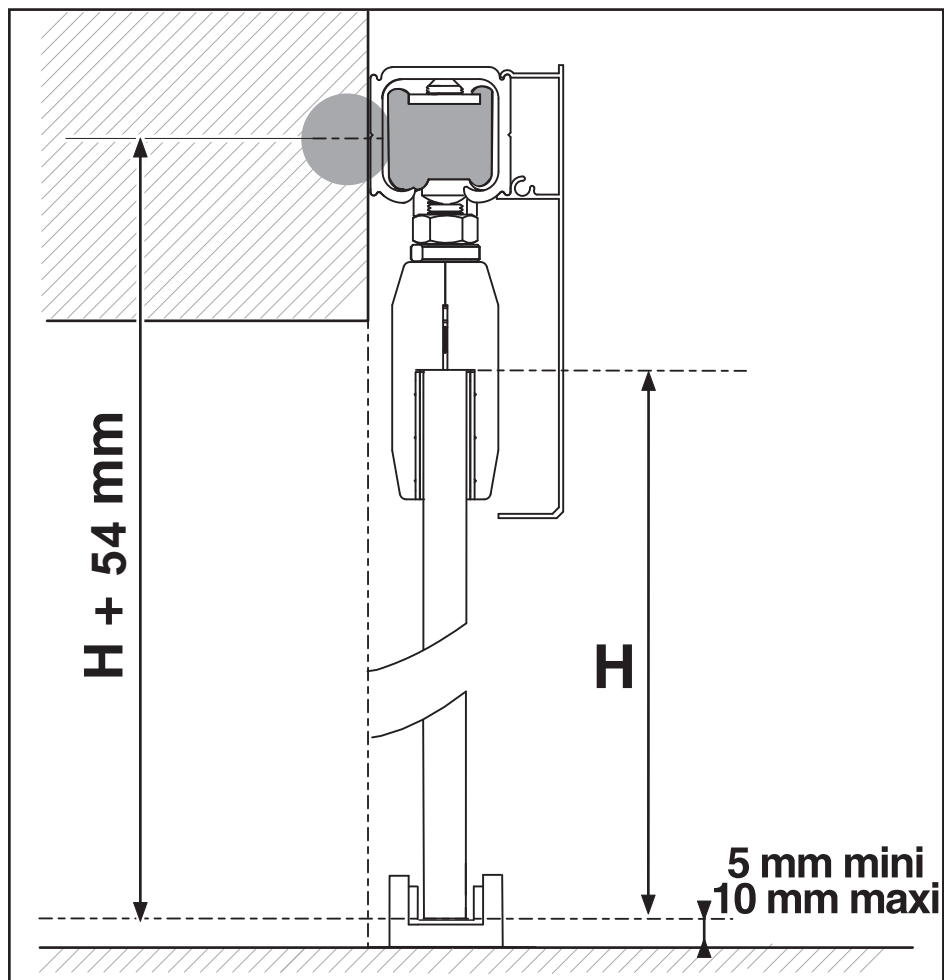
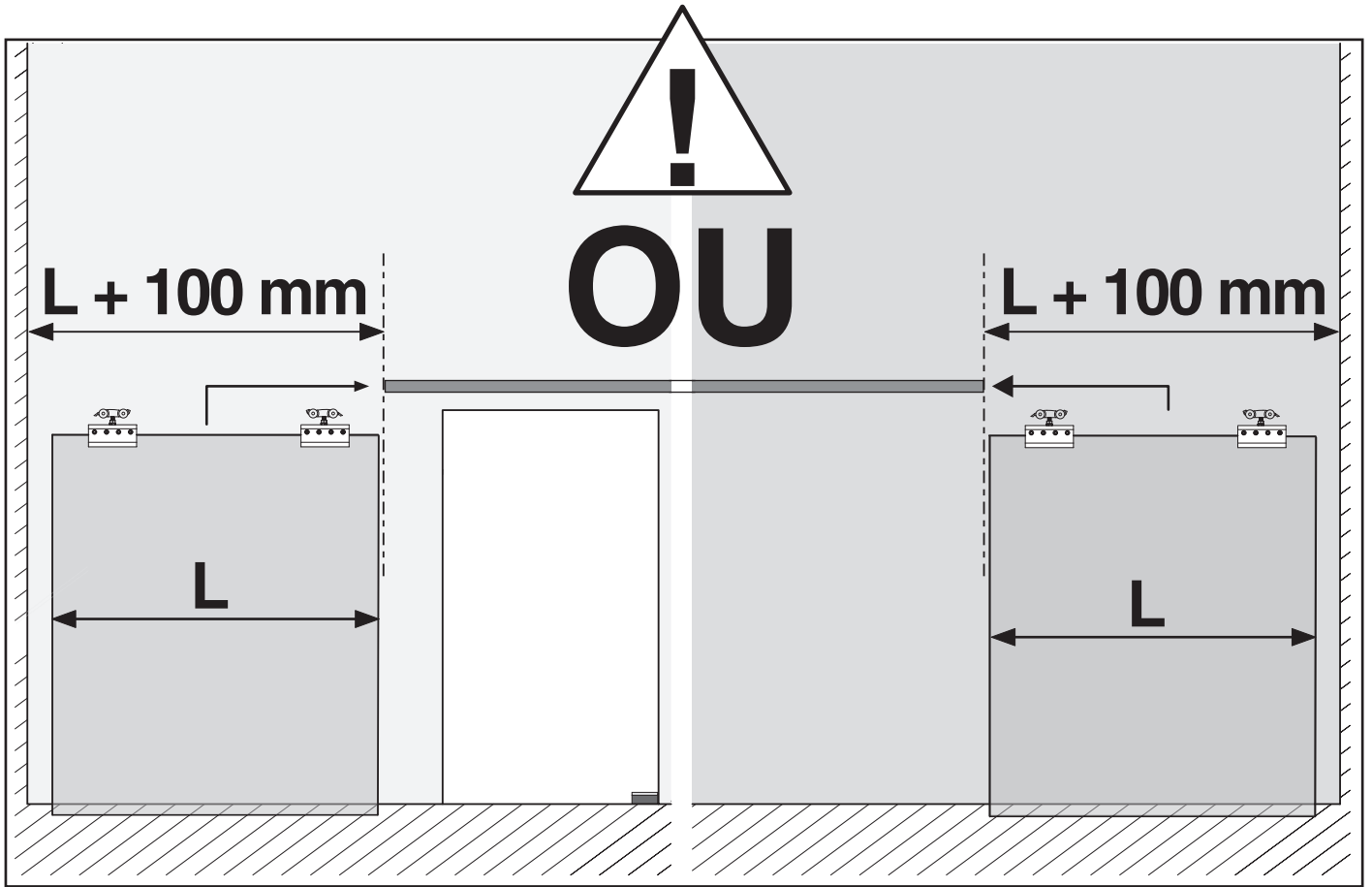
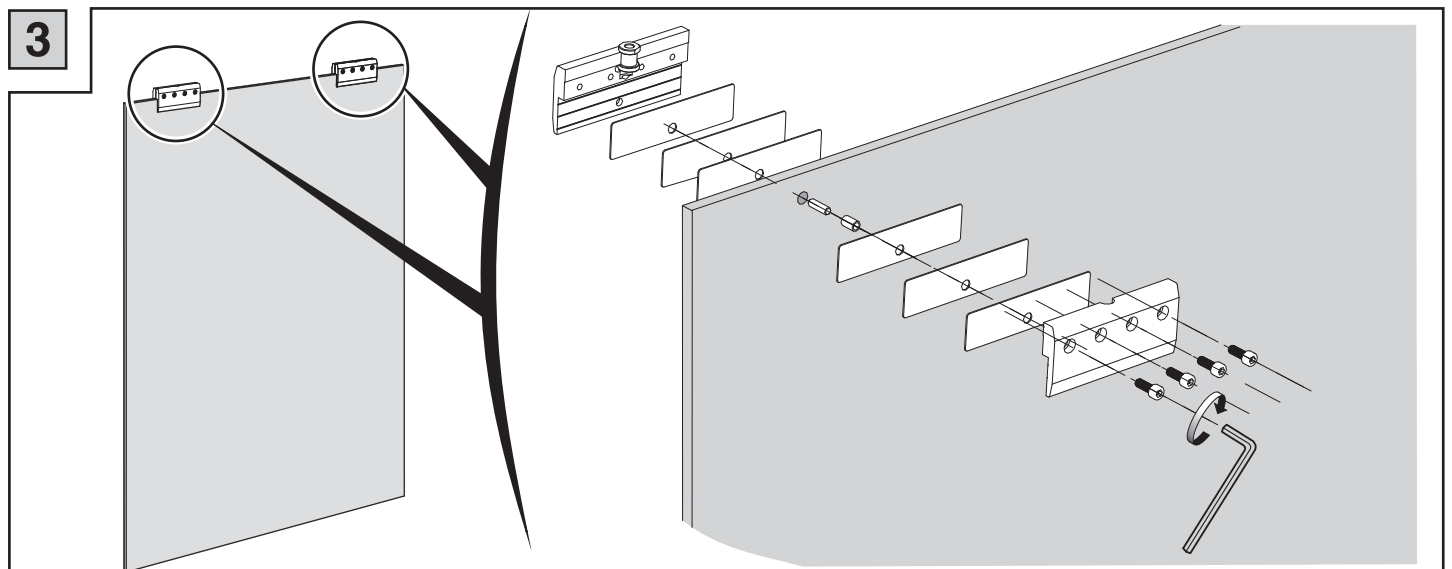
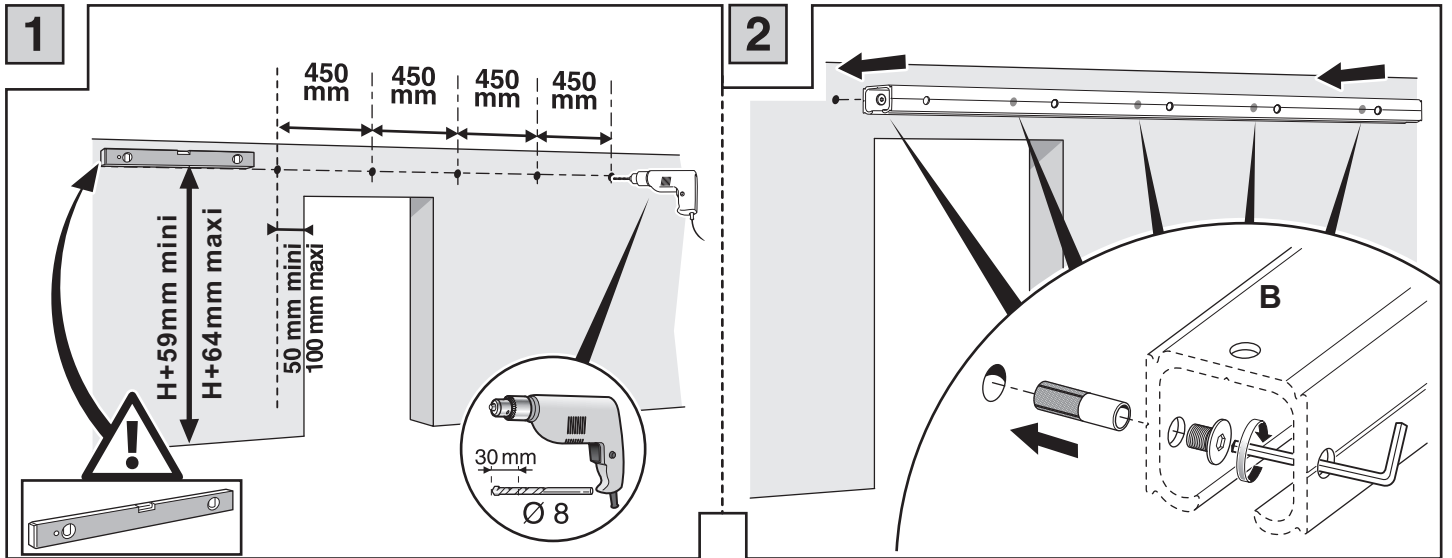
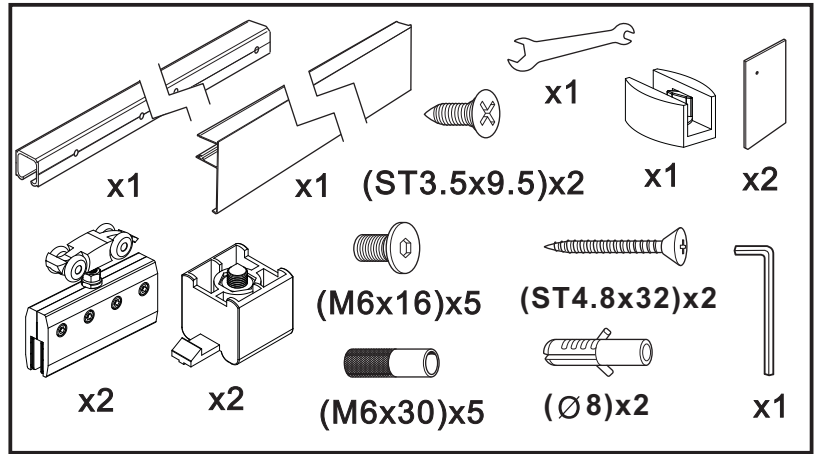
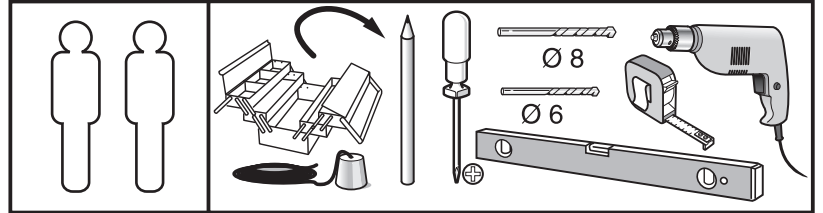
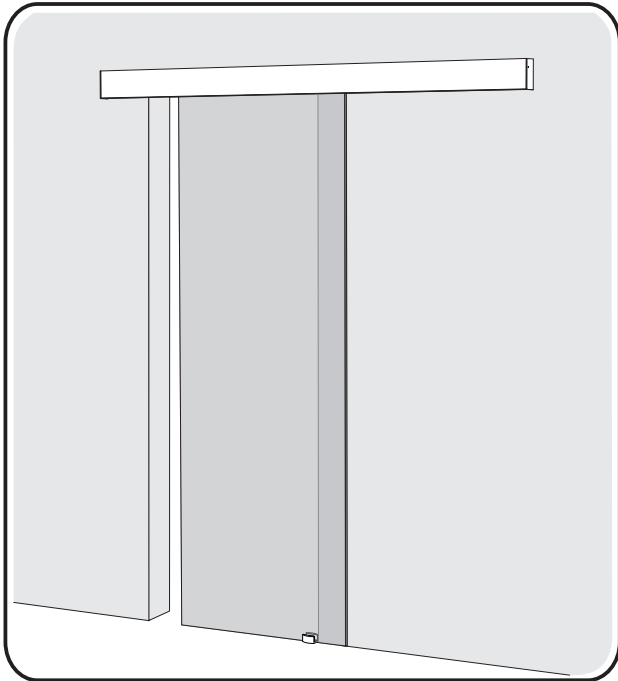
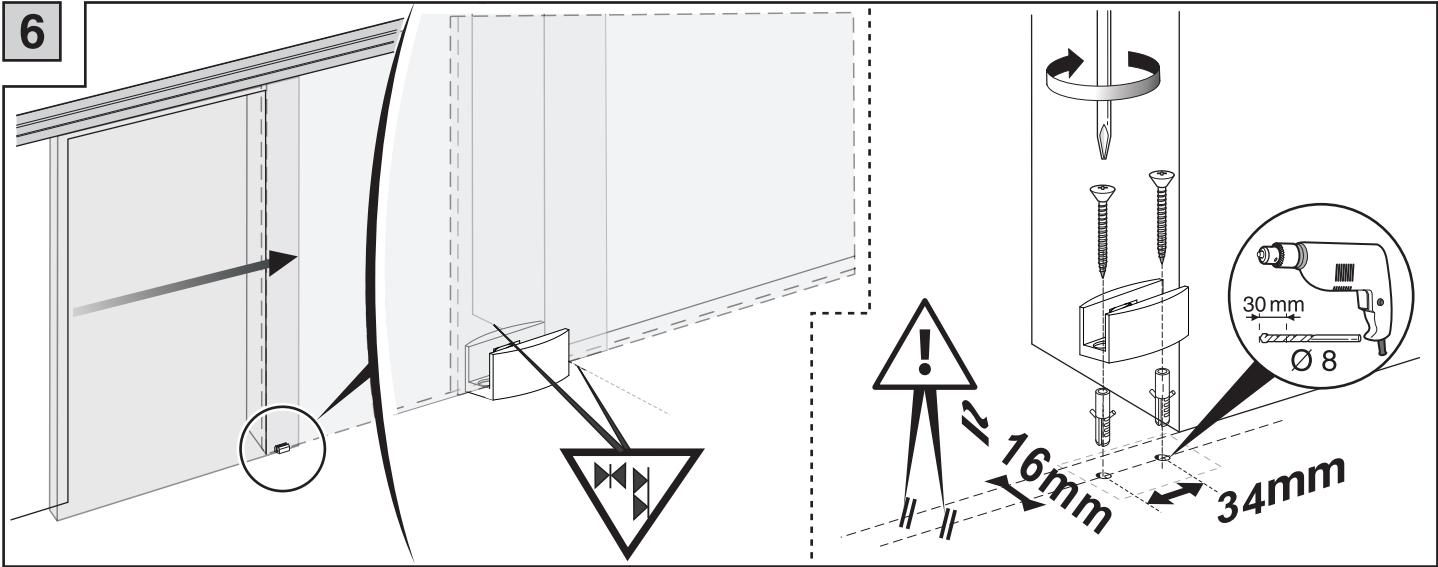
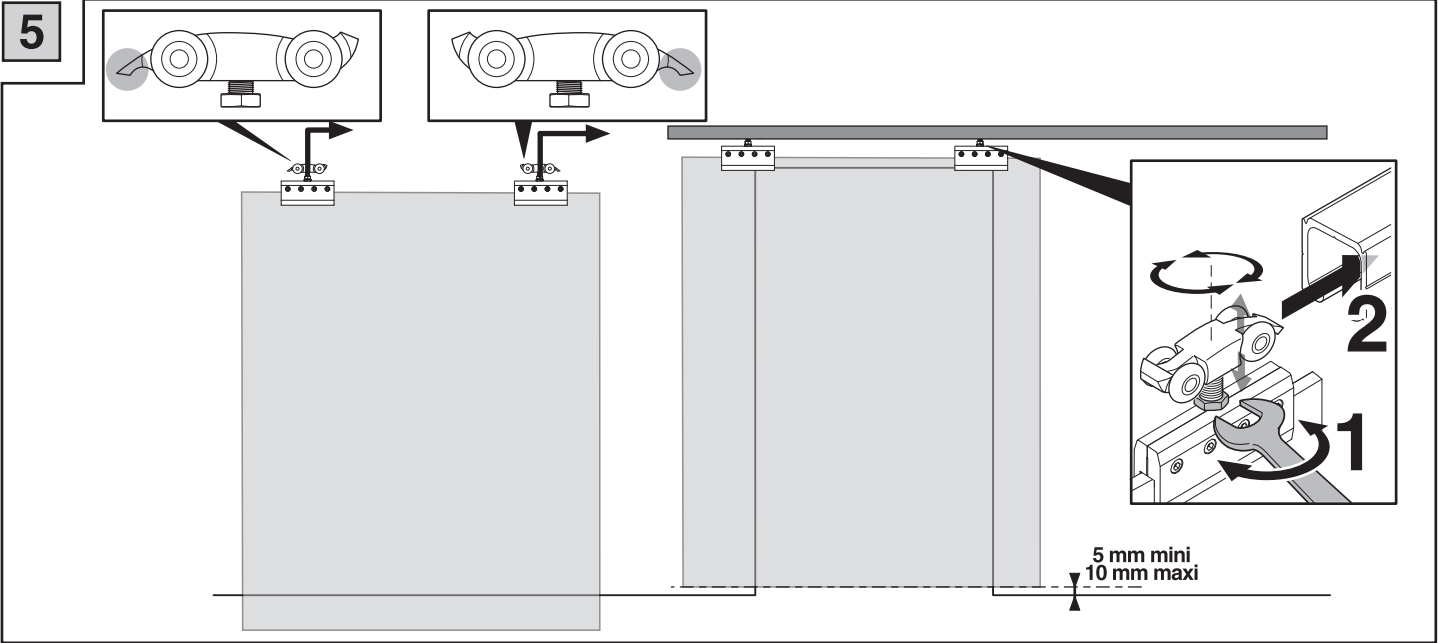
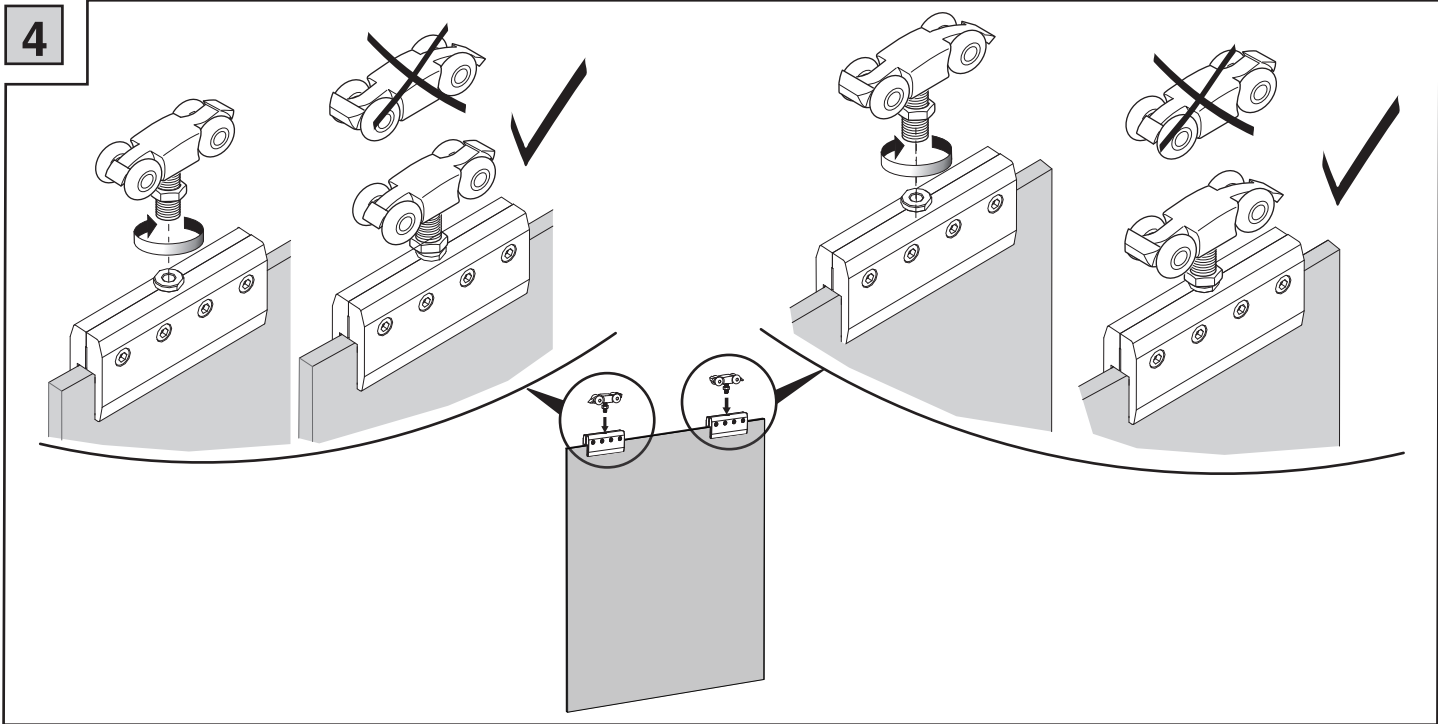
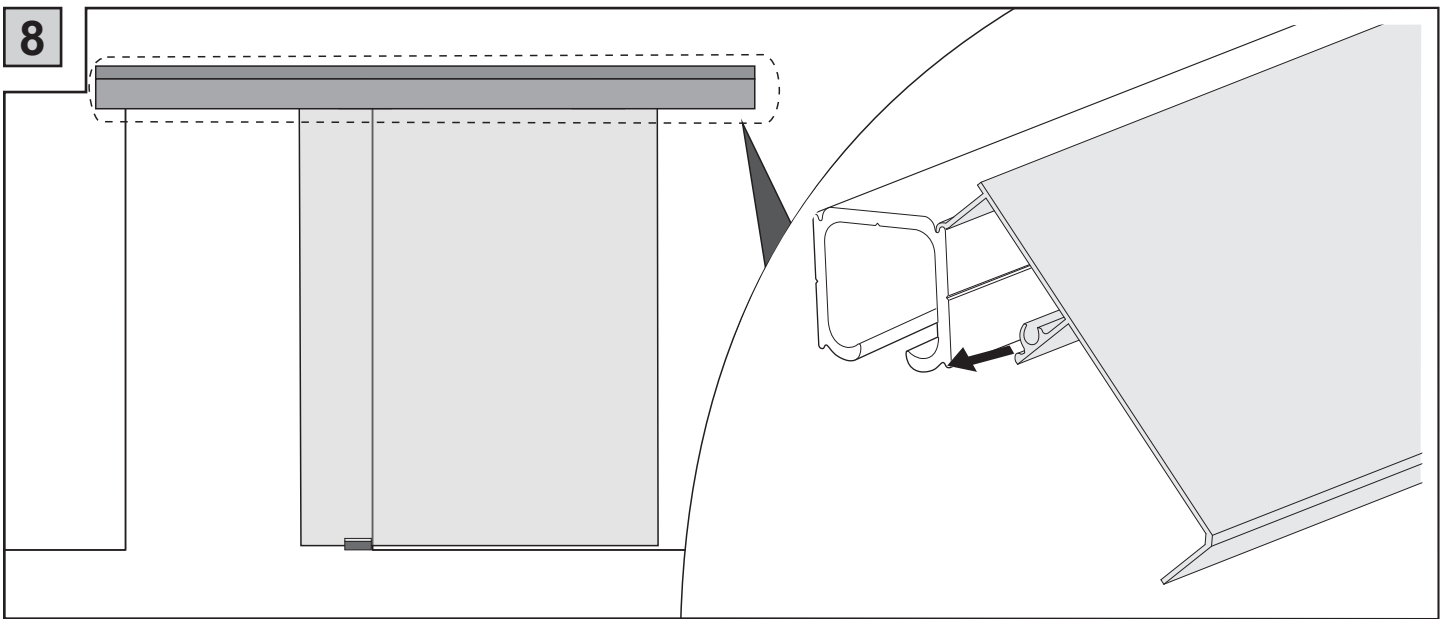
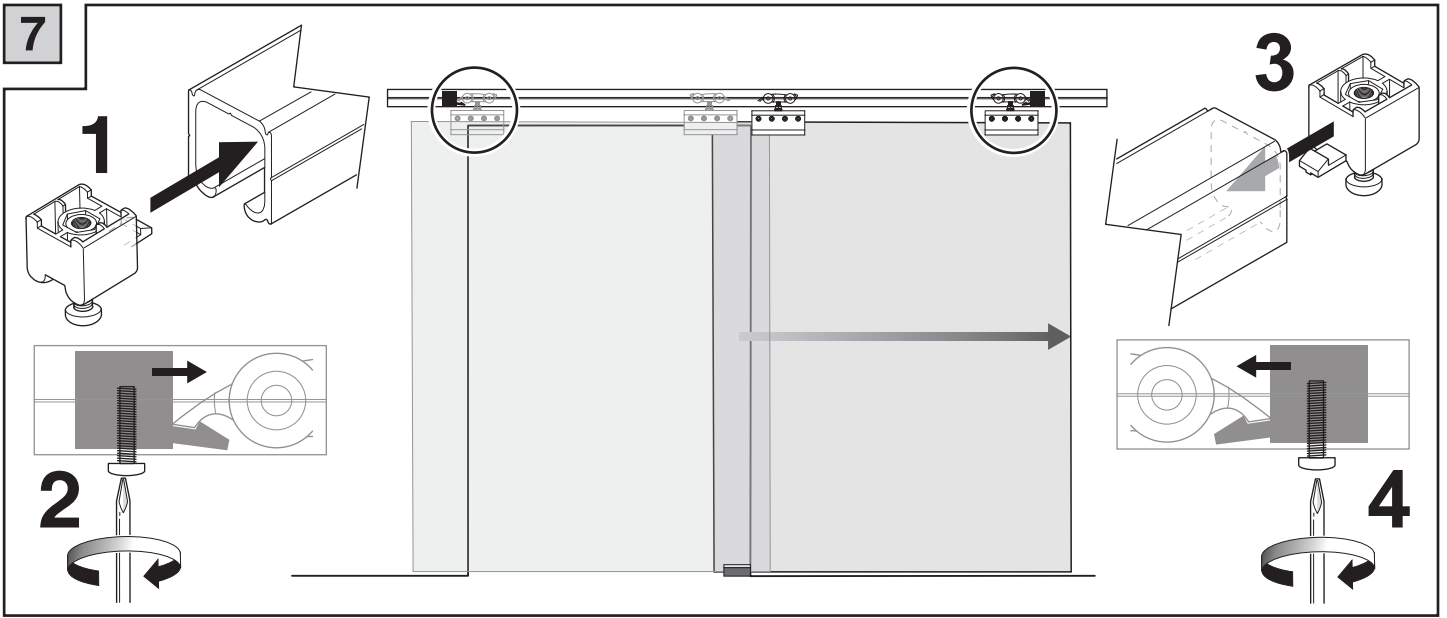


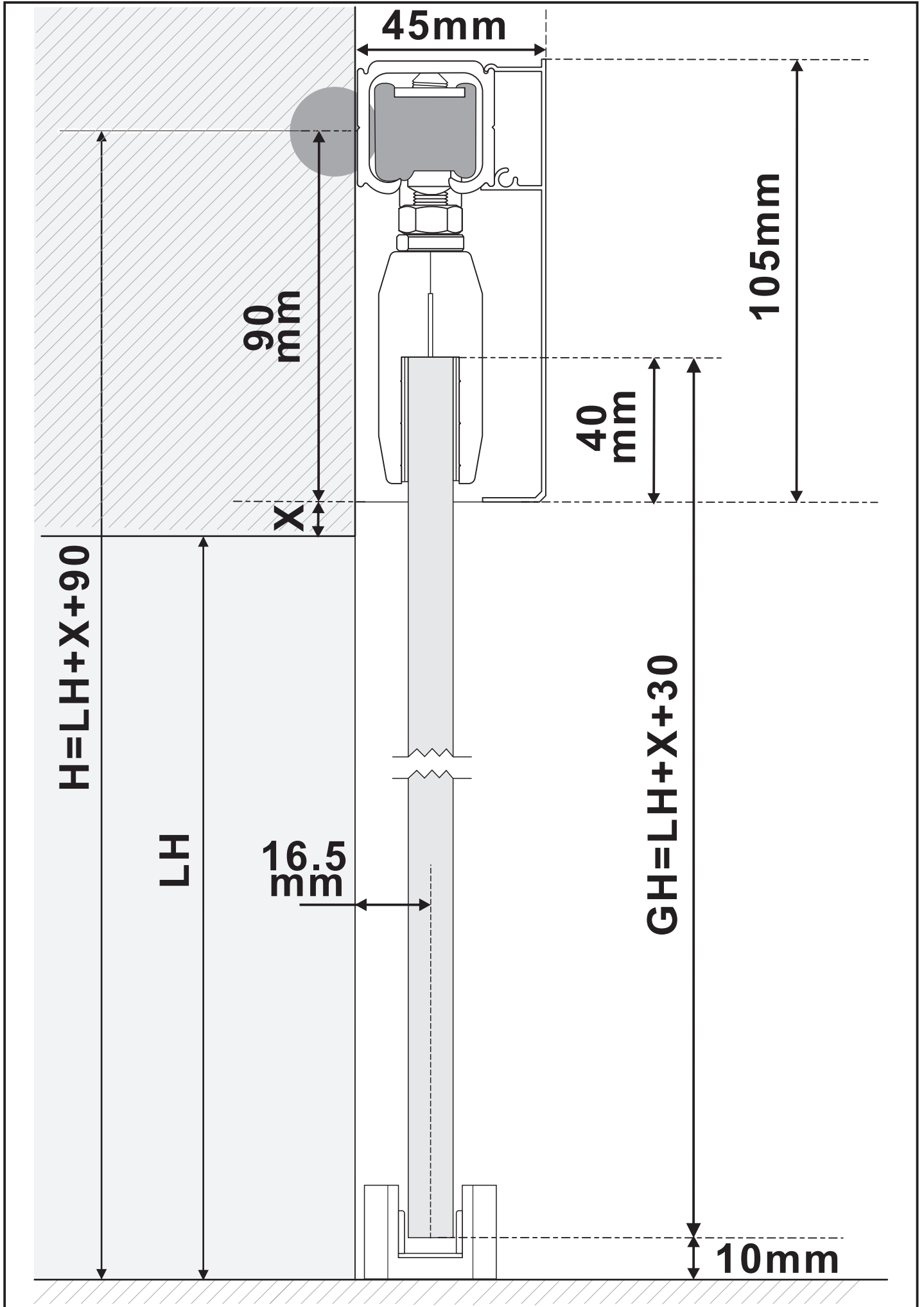
Aluminium glass sliding door











Features and Data:

Sliding Door System "Skylab" (Item No.: 28.29.200)

For installation with single glass panel or double (biparting) door panels;
Wall mounted.

For 8-10mm glass thickness.

Max. dynamic load capacity: 35 kg.

Calculation of glass height: $GH=LH+X+30$

Calculation of glass width: $GW=LW+50$

GW = Glass width

GH = Glass height

H = Distance holes center for rail to ground

LH = Clear opening height

LW = Clear opening width

X = Distance cover edge to opening upper side

